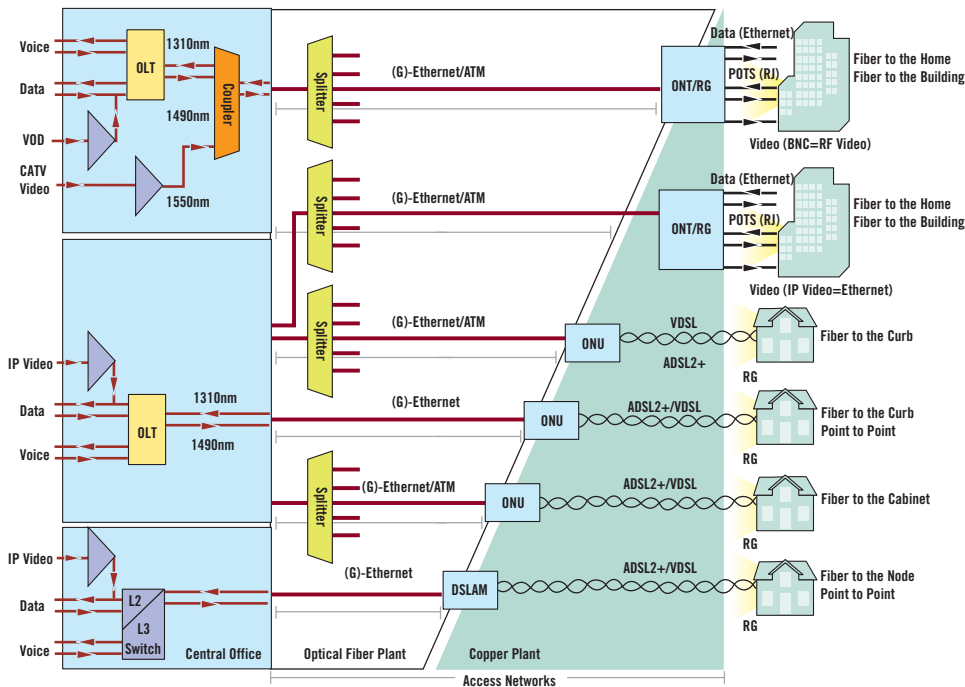


# Access Network Field Test Solutions from JDSU

## Intelligence – Power – Portability

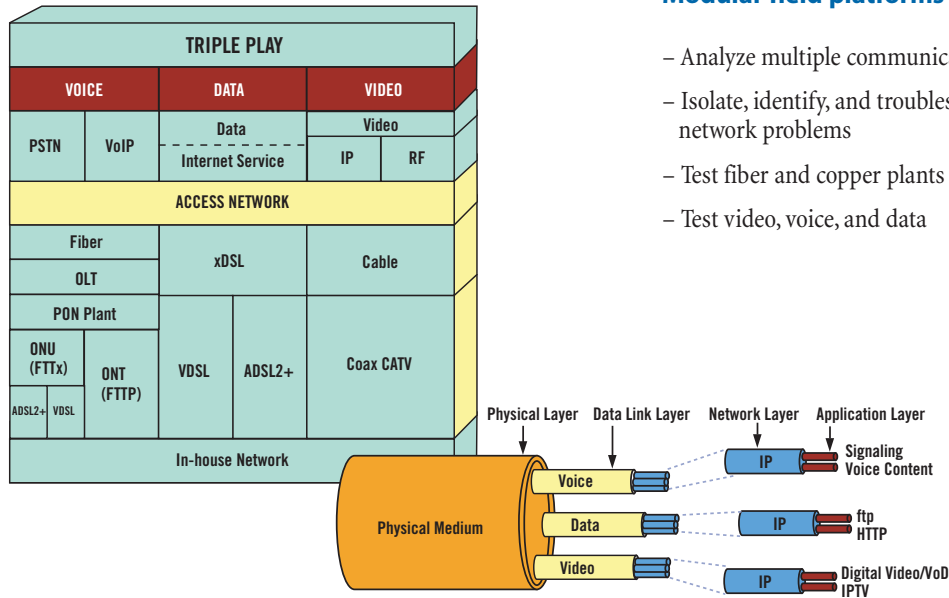


Access Network technologies are growing in complexity. More intelligence, more circuits, and more services are moving to the network edge. You need to equip yourself with the right tools to stay ahead of the curve. JDSU's portfolio of test platforms and tools gives you the triple-play of intelligence, power, and portability you need to help deliver the triple-play of voice, video, and data services.



### SmartClass test tools that:

- Best-in-Class tools, each targeted at specific test applications
- Verify physical layer performance, broadband connectivity, and service throughout the access network from the office to the premise
- Test fiber, copper, and premise wiring



**Modular field platforms that:**

- Analyze multiple communication layers
- Isolate, identify, and troubleshoot network problems
- Test fiber and copper plants
- Test video, voice, and data

**Choose the right handheld tool for the job at hand**

**Modular Field Test Platforms**

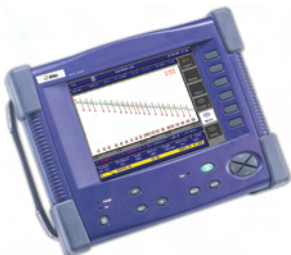


HST-3000

**HST-3000**

One instrument tests the copper, tests the fiber, tests the service, improves the process

This single, scalable handheld instrument tests copper, fiber, ADSL2+ and VDSL2, G.SHDSL, Ethernet, IP, VoIP, IPTV, T1, ISDN, DS3, Frame Relay, and data, making it the ideal tool for circuit to packet-switched network migration. Its modular design allows it to be upgraded in the field quickly and easily while sophisticated software permits this one instrument to be used for multiple applications. Automated test and scripting features improve the efficiency and consistency of the test processes, ensuring accurate results.



MTS-5100

**MTS-5100**

The industry standard for OTDR

This handheld mini-OTDR tests both single mode and multimode fiber networks, and is ideally suited for FTTx applications. Designed for fiber installation and maintenance, the MTS has become the worldwide reference for OTDR testing with its field upgradability and simple migration path to new network technologies.



SmartClass ADSL Tester

## SmartClass Point Solutions

### SmartClass ADSL 2+/2/1 Tester

#### Easiest to use tool for ADSL2+ sync to ping

The SmartClass ADSL is the perfect tool for the field engineer installing and maintaining ADSL1/2/2+ services. Designed with the field engineers's environment in mind, the SmartClass ADSL is easy to use, lightweight, and rugged.



OLS, OLP, OLA Smart Optical Handhelds

### OLS-55 and OLS-56 Smart Optical Laser Sources

#### A complete line of future-proof laser sources to suit every application

The OLS-55 and OLS-56 SMART Optical Laser Sources are designed to suit every application from PON to Gigabit Ethernet. These handheld laser sources offer the flexibility to test, install, and maintain singlemode and multimode fiber optic networks.

### OLP-55 and OLP-57 Smart Optical Power Meters

#### A complete line of power meters for the industry's newest applications including PON, 40 Gbps, and Gigabit Ethernet

The OLP-55 and OLP-57 SMART Optical Power Meters are designed for installing, testing, and maintaining singlemode and multimode networks and cables. The SMART Optical Power Meters define a new industry standard with a unique built-in auto-zeroing function for auto dark current compensation. This function significantly increases accuracy.



OMK-55 Smart Optical Test Kit

### OLA-54 and OLA-55 Smart Optical Level Attenuators

#### A complete line of level attenuators that are 40 Gbps-ready

The OLA-54 and OLA-55 SMART Optical Level Attenuators are future-proof, improved instruments for system verification testing. These instruments are 40 Gbps ready due to low Differential Group Delay (DGD).

### OMK-55 Smart Optical Test Kit

#### Providing all the tools you need on site when you need them

SMART Optical Test Kits contains all of the tools, including instruments and accessories, necessary to perform professional-grade power or loss tests in the field. Select your OMK-55 kit with the combination of instruments that meet your needs testing needs.

## PocketClass Testers

### PocketClass OLP-5, OLP-6, and OLP-8 Optical Power Meter

The OLP-5, OLP-6 and OLP-8 offer universal, single mode power and loss test capability for different application in a rugged, pocket-sized casing for direct use in the field. Cut your test time in half with the automatic TWINTest function and wavelength detection.




OLP-8



OLS-6

### PocketClass OLS-5 and OLS-6 Optical Light Source

The OLS-5 and OLS-6 offer high stability and long battery operating time in a rugged, pocket-sized casing for direct use in the field. With these instruments, no measurement errors occur due to different wavelength settings between the source and the receiver. These errors are avoided by the outstanding wavelengths detection function for the OLS-6 as well as the TWINTest function for the OLS-5.

Products	Installation & Provisioning		Maintenance, Troubleshooting, & Service Assurance					
	FTTx/PON	xDSL	VoIP	Video	Data	Fiber Plant	Copper Plant	Premise
HST Copper								
HST DSL								
MTS-5100								
Smart Class Fiber								
Smart Class ADSL2+								
Pocket Class								

All statements, technical information and recommendations related to the products herein are based upon information believed to be reliable or accurate. However, the accuracy or completeness thereof is not guaranteed, and no responsibility is assumed for any inaccuracies. The user assumes all risks and liability whatsoever in connection with the use of a product or its application. JDSU reserves the right to change at any time without notice the design, specifications, function, fit or form of its products described herein, including withdrawal at any time of a product offered for sale herein. JDSU makes no representations that the products herein are free from any intellectual property claims of others. Please contact JDSU for more information. JDSU and the JDSU logo are trademarks of JDS Uniphase Corporation. Other trademarks are the property of their respective holders. ©2006 JDS Uniphase Corporation. All rights reserved. 30137431 000 0206 ACCESSOL.OV.ACC.TM.AE

**Test & Measurement Regional Sales**

<b>NORTH AMERICA</b> TEL: 1 866 228 3762 FAX: +1 301 353 9216	<b>LATIN AMERICA</b> TEL: +55 11 5503 3800 FAX: +55 11 5505 1598	<b>ASIA PACIFIC</b> TEL: +852 2892 0990 FAX: +852 2892 0770	<b>EMEA</b> TEL: +49 7121 86 2222 FAX: +49 7121 86 1222	<b>WEBSITE: <a href="http://www.jdsu.com">www.jdsu.com</a></b>
---	--	---	---	--